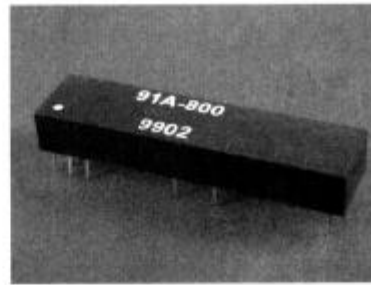


FEATURES

- INHERENT DELAY(T_0):6ns TYPICAL
- 32-PIN DIP PACKAGE.
- ECL INPUT AND OUTPUT LEVEL.
- FAN-OUT 70 ECL CAPACITY.



ELECTRICAL CHARACTERISTICS

IIH Logic"1" Input Current	:265uA max
IIL Logic"0" Input Current	:0.5uA max
VOH Logic"1" Output Voltage	:-0.96V min
VOL Logic"0" Output Voltage	:-1.65V max
VIH Logic"1" Input Voltage	:-0.98V min
VIL Logic"0" Input Voltage	:-1.63V max
TA Operating Temperature	:0°C to 70°C
Supply Current	:175mA TYP.

INPUT PULSE TEST CONDITION

Pulse Voltage	:1.0V(-0.75v to -1.75)
Pulse Width	:3Td
Pulse Spacing	:10 Td
Pulse Rise Time	:2nS(20% to 80%V)
Time Delay Measured	:@1.3V level
Supply Voltage Vcc	:0Vdc
Supply Voltage Vee	:-5.2Vdc

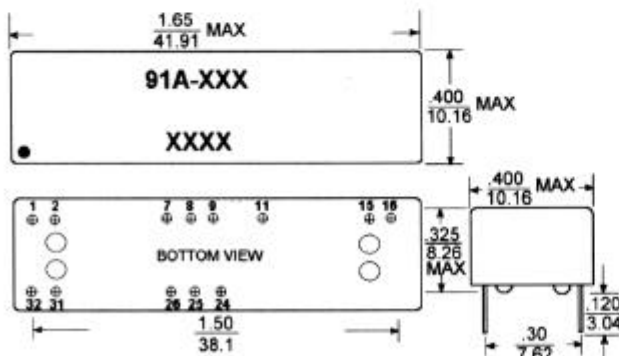
ELECTRICAL SPECIFICATIONS

PART NUMBER	INCREMENTAL DELAY PER STAP(ns)	TOTAL DELAY CHANGE(ns)
91A-015	1nS ±0.5	15 nS ±1
91A-030	2 nS ±0.5	30 nS ±1.5
91A-045	3 nS ±0.5	45 nS ±2.2
91A-060	4 nS ±0.8	60 nS ±3
91A-075	5 nS ±1.0	75 nS ±3.7
91A-150	10 nS ±1.0	150 nS ±7.5
91A-300	20 nS ±2.0	300 nS ±15
91A-450	30 nS ±2.5	450 nS ±22.5
91A-600	40 nS ±3.0	600 nS ±30
91A-750	50 nS ±3.0	750 nS ±37.52

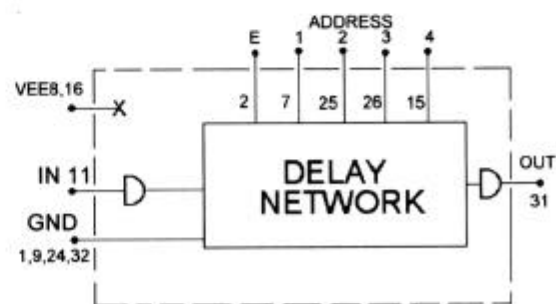
FUNCTION TABLE

ENABLE	ADDRESS(BIT NO.)					DEAY
L	L	L	L	L	L	T0
L	L	L	L	H	L	T1
L	L	L	H	L	L	T2
L	L	L	H	H	L	T3
L	L	H	L	L	L	T4
L	L	H	L	H	L	T5
L	L	H	H	L	L	T6
L	L	H	H	H	L	T7
L	H	L	L	L	L	T8
L	H	L	L	H	L	T9
L	H	L	H	L	L	T10
L	H	L	H	H	L	T11
L	H	H	L	L	L	T12
L	H	H	L	H	L	T13
L	H	H	H	L	L	T14
L	H	H	H	H	L	T15
H	X	X	X	X	X	L

MARKINGS AND DIMENSIONS



PIN CONNECTIONS



Dimensions:inches/mm

Unless otherwise specified, all tolerances are ±.010/±0.25

ALLEN AVIONICS, INC.