

3 INDEPENDENT DELAYS
TTL ACTIVE DELAY LINE

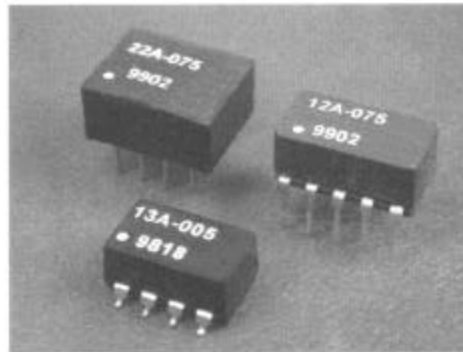
12A/13A/22A SERIES

FEATURES

- 8-PIN PACKAGE.
- 3 INDEPENDENT DELAYS
- TTL SCHOTTKY INTERFACED.
- DELAY TIMES FROM 5-500nS.

ELECTRICAL CHARACTERISTICS

I _{IH} Logic"1" Input Current	:50uA max
I _{IL} Logic"0" Input Current	:-2mA max
V _{OH} Logic"1" Output Voltage	:2.7V min
V _{OL} Logic"0" Output Voltage	:0.5V max
V _{IH} Logic"1" Input Voltage	:2.0V min
V _{IL} Logic"0" Input Voltage	:0.8V max
T _A Operating Temperature	:0°C to 70°C
N _H Fanout"1" Output	:20 TTL Load
N _L Fanout"0" Output	:10 TTL Load
Supply Current	:115mA Typ.



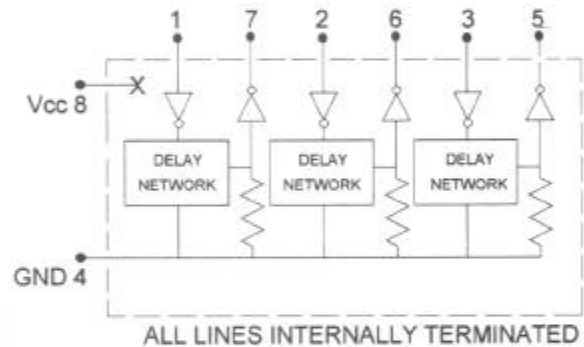
INPUT PULSE TEST CONDITION

Pulse Voltage	:3.2V
Pulse Width	:50nS min. or 100%T _d
Duty Cycle	:<50%
Pulse Rise Time	:2nS(0.75 to 2.4V)
Time Delay Measured	:@1.5V level
Supply Voltage V _{cc}	:5.0 ± 0.25Vdc

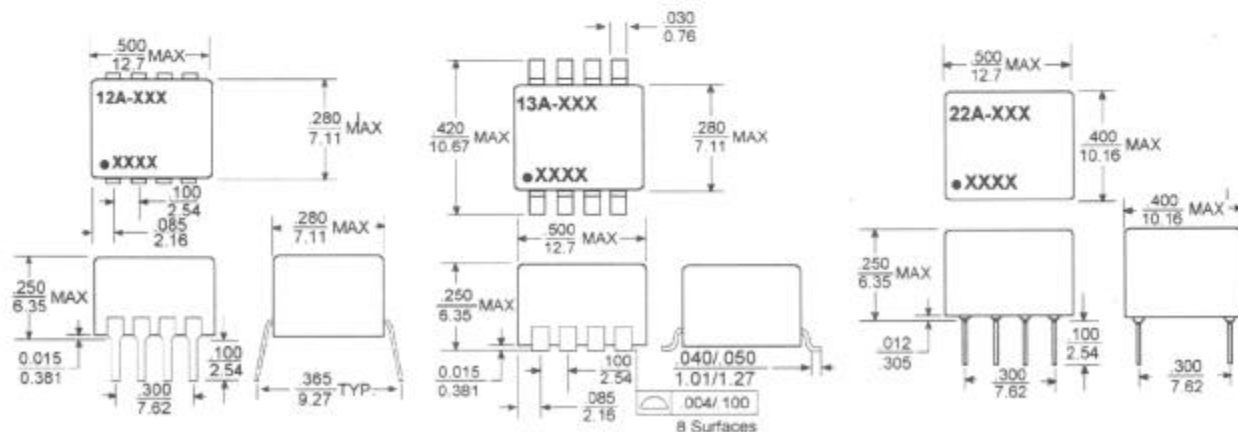
ELECTRICAL SPECIFICATIONS

PART NO.	DELAY TIME T _d (nS)	RISE TIME T _r (nS)max
12A/13A/22A-005	5 ± 2	4
12A/13A/22A-010	10 ± 2	4
12A/13A/22A-015	15 ± 2	4
12A/13A/22A-020	20 ± 2	4
12A/13A/22A-025	25 ± 5%	4
12A/13A/22A-050	50 ± 5%	4
12A/13A/22A-075	75 ± 5%	4
12A/13A/22A-100	100 ± 5%	4
12A/13A/22A-250	250 ± 5%	4
12A/13A/22A-500	500 ± 5%	4

PIN CONNECTIONS



MARKINGS AND DIMENSIONS



Dimensions: inches/mm Unless otherwise specified, all tolerances are ±.010/±0.25

ALLEN AVIONICS, INC.

255 East Second Street, Mineola, NY 11501 • Tel: (516) 248-8080 • Fax: (516) 747-6724 • www.allenavionics.com