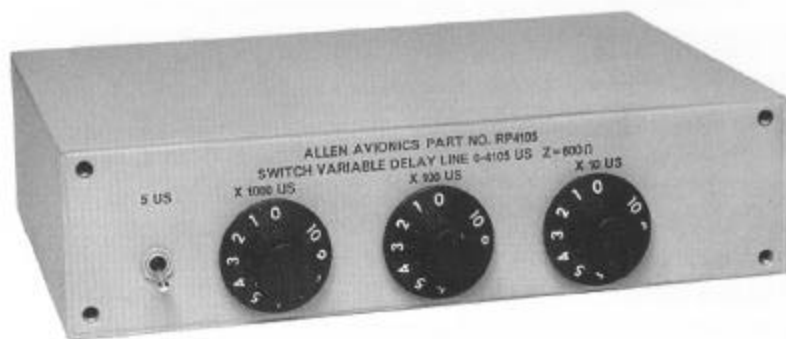


RADIO PAGING VARIABLE DELAY LINES



Model No. RP4105

RP SERIES DELAY LINES

RP 1100 - Total delay of 1100 microseconds

- Two rotary switches
- Adjustable in 100 and 10 microsecond steps

RP 2100 - Total delay of 2100 microseconds

- Two rotary switches
- Adjustable in 100 and 10 microsecond steps
- One toggle switch adds an additional 1000 microseconds

RP 4100 - Total delay of 4100 microseconds

- Three rotary switches
- Adjustable in 1000, 100 and 10 microsecond steps

RP 1105, RP 2105, RP 4105 -

These units are identical to the series above. An additional 5 microsecond toggle switch has been added for fine delay adjustment.

ELECTRICAL SPECIFICATIONS

Delay Tolerance : $\pm 5\%$ at total Delay

Impedance : 600 Ohms Unbalanced

Delay Resolution (steps) : 10 Microseconds

(RP1100, RP2100, RP4100)

5 Microseconds

(RP1105, RP2105, RP4105)

Bandwidth for any Delay : 3.2 KHz Minimum

Distortion : 10% Maximum

Signal Attenuation :

RP1100 & RP1105 = 3dB Max.

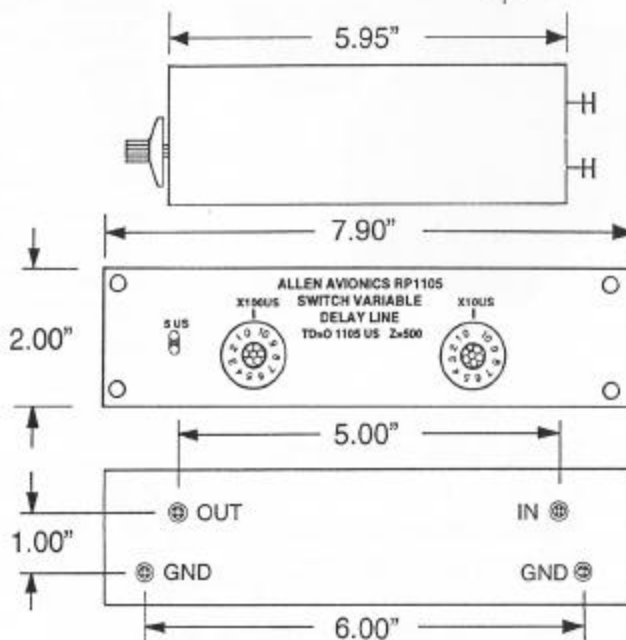
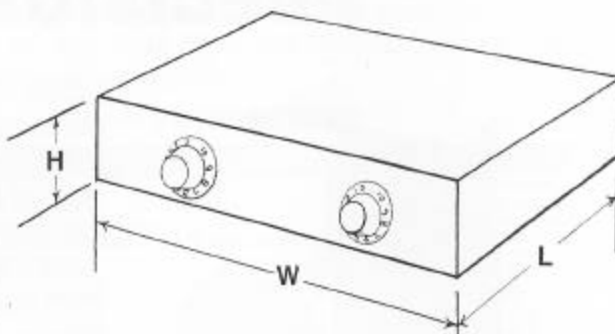
RP2100 & RP2105 = 5dB Max.

RP4100 & RP4105 = 8dB Max.

Units are housed in a sealed metal can designed for mounting in a standard 19" Rack.

Four 8-32 inserts for mounting (hardware included)

Four Turret Terminals (Input, Output, 2 Grounds)



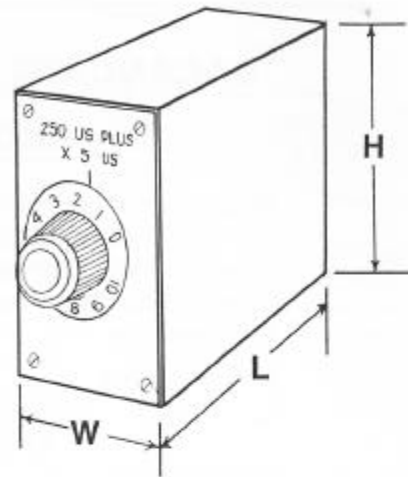
Part No.	Total Delay (Microseconds)	Case Size
RP100 - 100	200	B
RP200 - 100	300	B
RP300 - 100	400	B
RP400 - 100	500	B
RP500 - 100	600	C
RP600 - 100	700	C
RP700 - 100	800	C
RP800 - 100	900	C
RP900 - 100	1000	C
RP1100	1100	C
RP1105	1105	C
RP2100	2100	C
RP2105	2105	C
RP4100	4100	C
RP4105	4105	C

CASE SIZE: L x W x H
 A: 5" x 2" x 3-1/2"
 B: 6-1/2" x 2" x 3-1/2"
 C: 5.95" x 7.9" x 2"

ALLEN AVIONICS, INC.

224 East Second Street, Mineola, NY 11501 • TEL (516) 248-8080 • FAX (516) 747-6724

RADIO PAGING VARIABLE DELAY LINES



CASE SIZE: L x W x H
A: 5" x 2" x 3-1/2"
B: 6-1/2" x 2" x 3-1/2"
C: 5.95" x 7.9" x 2"

SPECIFICATIONS

Variable Delay Lines

Total delay tolerance: $\pm 5\%$
 Impedance: 600 Ohms Unbalanced
 Bandwidth for any delay: Greater than 3.2KHz
 Units are sealed in metal cans.
 Four 8-32 Inserts for mounting (hardware included)
 Four Turret Terminals (Input, output & 2 grounds)

10 steps x 5 us plus Fixed Delay		
Part No.	Fixed Delay Microseconds	Case
AV0-50	0	A
AV50-50	50	A
AV100-50	100	A
AV150-50	150	A
AV200-50	200	A
AV250-50	250	A
AV300-50	300	A
AV350-50	350	A
AV400-50	400	A
AV450-50	450	A
AV500-50	500	B
AV550-50	550	B
AV600-50	600	B
AV650-50	650	B
AV700-50	700	B
AV750-50	750	B
AV800-50	800	B
AV850-50	850	B
AV900-50	900	B
AV950-50	950	B

10 steps x 10 us plus Fixed Delay		
Part No.	Fixed Delay Microseconds	Case
AV0-100	0	A
AV50-100	50	A
AV100-100	100	A
AV150-100	150	A
AV200-100	200	A
AV250-100	250	A
AV300-100	300	A
AV350-100	350	A
AV400-100	400	A
AV450-100	450	A
AV500-100	500	B
AV550-100	550	B
AV600-100	600	B
AV650-100	650	B
AV700-100	700	B
AV750-100	750	B
AV800-100	800	B
AV850-100	850	B
AV900-100	900	B
AV950-100	950	B

Fixed Delay Lines

Total Delay Tolerance: $\pm 5\%$
 Impedance: 600 Ohms Unbalanced
 Bandwidth for any delay: Greater Than 3.2KHz
 Units are sealed in metal cans.
 Four 8-32 Inserts for mounting (hardware included)
 Four Turret Terminals (Input, output & 2 grounds)

Part No.	Total Delay Microseconds	Case
AV-100	100	A
AV200	200	A
AV300	300	A
AV400	400	A
AV500	500	A
AV600	600	B
AV700	700	B
AV800	800	B
AV900	900	B
AV1000	1000	B
AV1250	1250	B
AV1500	1500	B
AV1750	1750	B
AV2000	2000	B
AV2500	2500	B
AV3000	3000	C
AV4000	4000	C
AV5000	5000	C
AV6000	6000	C
AV7000	7000	C
AV8000	8000	C
AV9000	9000	C
AV10,000	10,000	C

ALLEN AVIONICS, INC.

224 East Second Street, Mineola, NY 11501 • TEL (516) 248-8080 • FAX (516) 747-6724

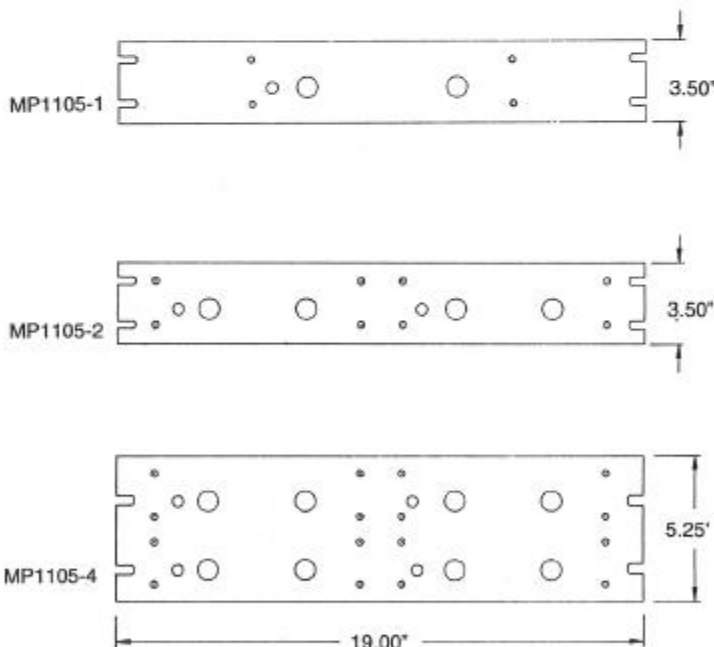
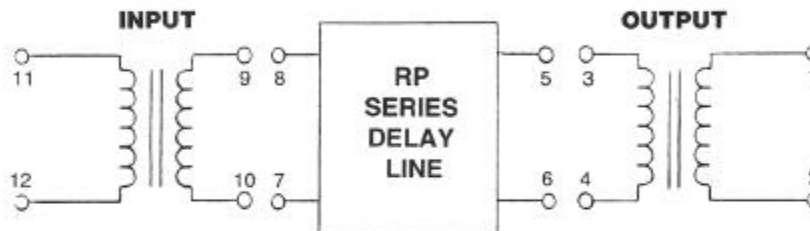
RADIO PAGING VARIABLE DELAY LINES

ACCESSORIES FOR RP SERIES DELAY LINES

BALANCING / COUPLING NETWORK

MODEL #AV1128

AV1128 is a programmable 600 Ohm input (balanced or unbalanced) to a 600 Ohm output (balanced or unbalanced) transformer. Designed to be mounted to the rear of any RP Series delay line. The coupling network directly connects any RP Series delay line to any 600 Ohm telephone line.



MOUNTING PANELS (MP SERIES) FOR RP DELAY LINES

The MP Series mounting panels are pre-drilled, pre-marked, 19-inch rack panels used for mounting one, two or four RP Series Delay Lines. The panels are constructed of 1/8-inch brushed hard-coated aluminum. The heights of the panels are 3-1/2 inches for the mounting of one or two delay lines and 5-1/4 inches for the mounting of four delay lines.

MOUNTING PANELS

MP-1100-1	-	Mounts 1	RP1100
MP-1100-2	-	Mounts 2	RP1100
MP-1100-4	-	Mounts 4	RP1100
MP-1105-1	-	Mounts 1	RP1105
MP-1105-2	-	Mounts 2	RP1105
MP-1105-4	-	Mounts 4	RP1105
MP-2100-1	-	Mounts 1	RP2100
MP-2100-2	-	Mounts 2	RP2100
MP-2100-4	-	Mounts 4	RP2100
MP-2105-1	-	Mounts 1	RP2105
MP-2105-2	-	Mounts 2	RP2105
MP-2105-4	-	Mounts 4	RP2105
MP-4100-1	-	Mounts 1	RP4100
MP-4100-2	-	Mounts 2	RP4100
MP-4100-4	-	Mounts 4	RP4100
MP-4105-1	-	Mounts 1	RP4105
MP-4105-2	-	Mounts 2	RP4105
MP-4105-4	-	Mounts 4	RP4105

ALLEN AVIONICS, INC.

224 East Second Street, Mineola, NY 11501 • TEL (516) 248-8080 • FAX (516) 747-6724