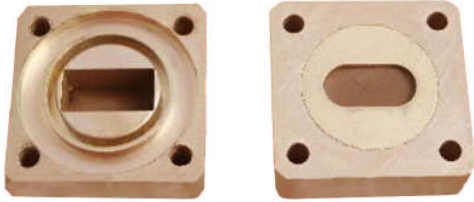


Rectangular Waveguide Pressure Window WPW Series



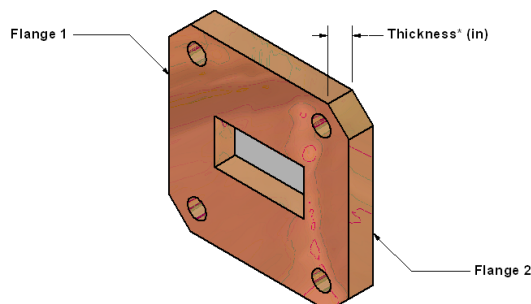
Waveguide Pressure Window

ALLEN AVIONICS offers a standard (WPW SERIES) product line of WAVEGUIDE PRESSURE WINDOW covering the waveguide sizes from WR-430 to WR-42. Pressure handling of typical 20 PSI is capable, however high capacities up to 30 PSI is achievable with these pressure windows. These units have a typical VSWR of 1.10:1 max with an Insertion Loss of 0.1dB max over the entire bandwidth of the waveguide.

Allen Avionics Waveguide Pressure Windows are normally of Brass construction. Aluminum and Copper construction are also available on request.

MODEL #	WAVEGUIDE SIZE	FREQUENCY RANGE (GHz)	AVG. POWER (WATT)	THICKNESS* (in)
WPS / WR430 / ...	WR-430	1.70 – 2.60	2200	0.38
WPS / WR340 / ...	WR-340	2.20 – 3.30	2000	0.38
WPS / WR284 / ...	WR-284	2.60 – 3.95	1800	0.25
WPS / WR229 / ...	WR-229	3.30 – 4.90	1500	0.25
WPS / WR187 / ...	WR-187	3.95 – 5.85	1200	0.25
WPS / WR159 / ...	WR-159	4.90 – 7.05	1000	0.25
WPS / WR137 / ...	WR-137	5.85 – 8.20	750	0.25
WPS / WR112 / ...	WR-112	7.05 – 10.0	500	0.25
WPS / WR102 / ...	WR-102	7.00 – 11.0	500	0.18
WPS / WR90 / ...	WR-90	8.20 – 12.4	400	0.18
WPS / WR75 / ...	WR-75	10.0 – 15.0	300	0.18
WPS / WR62 / ...	WR-62	12.4 – 18.0	200	0.18
WPS / WR51 / ...	WR-51	15.0 – 22.0	80	0.18
WPS / WR42 / ...	WR-42	18.0 – 26.5	80	0.18

* Thickness noted when using Cover/Cover Flange Configuration. While using CPR, CMR or Choke type flange Configuration, Thickness = 0.25".



MODEL DESIGNATION

Code	Description
------	-------------

1	Series (WPW)
2	Waveguide Size
3	Flange Code (Input/Output) (see chart)
4	Material (AL) (BR)

SAMPLE

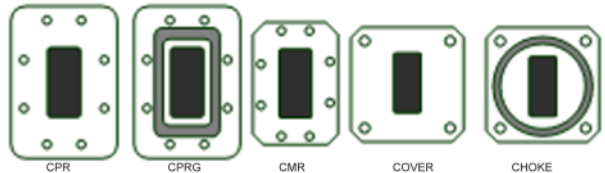
<u>1</u>	<u>2</u>	<u>3</u>	<u>4</u>
WPW/	WR75/	CF/FS/	BR

**COMPLETE PN=
WPW/WR75/CF/FS/BR**

Contact Factory With Your Specific Needs For:

- Electrical Performance
- Mechanical Configuration
- Insertion Loss

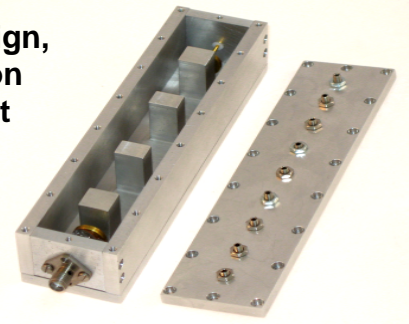
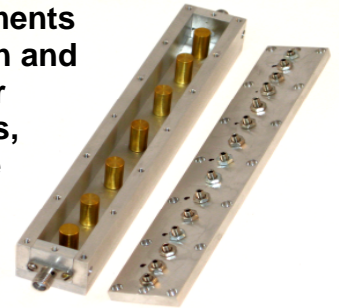
FLANGE CODE CHART	
Flange Style	Connector Code
CPR Flange	CPR
CPRG Flange	CPRG
CMR Flange	CMR
Cover Flange	CF
Choke Flange	CH



ALLEN AVIONICS INC manufactures many other types of microwave Filters. Our engineers will help you pick the right filter to meet all the requirements you have for performance, size and cost. Our advanced simulation and modeling software will design and do optimization of Circular Post Coupled filters, Metal-Insert Filters, Iris Coupled Filters, Comblaine and Interdigital Filters. All of our Filters can be custom designed for your application and we offer fast prototypes. No need to wait five or six weeks to test your idea or check your system.



Allen Avionics Inc. started in 1960
And has 49 years experience in design, Production, quality and they use it on every product they make. Check out the Allen Avionics web site for all their products.
www.allenavionics.com



ALLEN AVIONICS, INC.